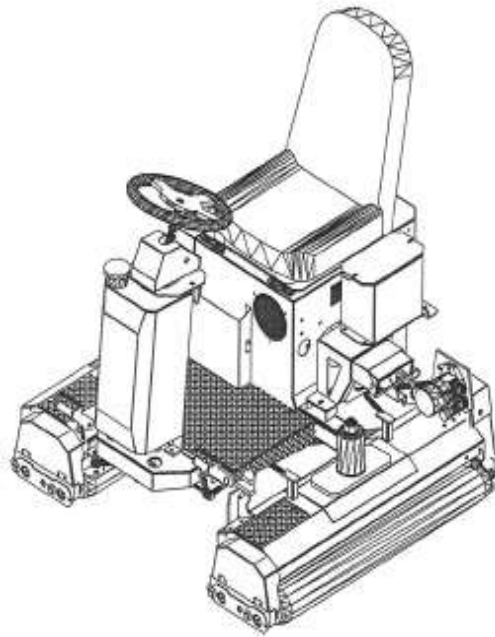


**Salsco, INC.**  
LEADER BY DESIGN

MADE IN THE U.S.A

**OPERATORS AND PARTS MANUAL**  
MODEL - GAS GREENS ROLLER, HP5.5



**MANUFACTURER OF OUTDOOR POWER EQUIPMENT**

Products for Turf & Lawn care, Rental, Construction, Tree care, Wood Processing, Nursery & Farm Industries

*Other Salsco Equipment*

**3-1/2" - 18", Gas, Diesel, and P.T.O, Wood/Brush Chippers**  
**Chipper Shredder Vacuums - Tailgate & Truckloader Vacuums**  
**Shaving Mills - Gas and Electric Greens Rollers**

*Quality of Workmanship, Innovative  
Design, Built to Last!*

105 School House Road  
Cheshire, CT 06410 U.S.A.  
800-872-5726, 203-271-1682, 203-271-2596 (Fax)  
sales@salsco.com, www.salsco.com

**TABLE OF CONTENTS**

**MODEL HP 5.5, GAS GREENS ROLLER**

COVER & TABLE OF CONTENTS.....Pages 1 – 2

STATEMENT OF FACT ..... Page 3

SPECIFICATIONS & FEATURES .....Page 4

MACHINE REGISTRATION .....Page 5

SAFETY & OPERATING INSTRUCTIONS .....Page 6

SERVICE & MAINTENANCE INSTRUCTIONS .....Page 7

PARTS DIAGRAMS .....Pages 8 – 24

TORQUE CHARTS .....Page 25

WARRANTY POLICY/PROCEDURE .....Page 26

COPY OF WARRANTY CLAIM FORM.....Page 27

COPY OF DEALER DELIVERY REPORT & WARRANTY CARD.....Page 28

SERVICE SCHEDULE LOG .....Page 29

SALSCO, INC.  
105 School House Road  
Cheshire, CT 06410  
800-872-5726, 203-271-1682  
203-271-2596 (Fax)  
[www.salsco.com](http://www.salsco.com), [sales@salsco.com](mailto:sales@salsco.com)

## **STATEMENT OF FACT**

You have just purchased the highest quality, most maneuverable, dependable, **GREENS ROLLER** on the market today. This unit has the ability to meet exact standards and perform for years with minimum downtime. **HOWEVER**, it cannot read nor will it understand this manual no matter how long you leave it on top of the machine.

**It is your responsibility** to read and understand this manual; it is also your responsibility to be certain this information is passed along to anyone who is expected to operate this equipment. Should you choose not to read, understand and pass along the information provided you, please expect equipment failure and possible injuries to persons around this equipment.

For the safety of the operator, it is **imperative** that this manual is carefully read and understood.

Once you have read this manual, it is your responsibility to be sure that all new operators read and understand this manual, especially all cautions stated.

As a manufacturer of equipment, we have a responsibility to design a safe piece of equipment. **NOTE:** The important safeguards and instructions in this manual are not meant to cover all possible conditions and situations that may occur. It must be understood that common sense, caution, and care are factors, which cannot be built into any product. These factors must be supplied by the person(s) caring for and operating this equipment.

**ONLY YOU CAN PREVENT ACCIDENTS!!**

## **SPECIFICATIONS AND FEATURES** **GAS GREENS ROLLER – MODEL HP5.5**

The Salsco Greens Roller is actually a multi-purpose tool, which, in a short time, has become a must-have for many golf courses. Our unit can be used on GREENS, WET OR DRY, and will increase speed an average of 1-2 feet. However, that's only part of the story. We can ROLL SOD, CLAY TENNIS COURTS, CART PATHS, SUB BASE FOR NEW GREENS CONSTRUCTION, WET GREENS, WET SPOTS ON FAIRWAYS, etc., etc. Because of traction and maneuverability this machine is ready and able when you are.

### **Drive System**

A 13HP Honda Engine, electric start, powers this unit. Power is delivered to a Hydrostatic Pump through a love-joy coupling. Fluid power is then transmitted through 2,500 P.S.I. (10,000-lb. burst) hoses to drive motors. Drive motors change fluid power to mechanical power and transmit it through #50 chain to the rolls. ALL 5.5" diameter rolls are driven. This gives us the best traction in the roller business.

We want to smooth out the surface, not change it or compact it.

The Salsco Roller is very user friendly, with automotive type steering and smooth pedal controls. Operators spend very little time getting comfortable with this machine, usually before the first green is done.

The Salsco Greens Roller comes standard with its own trailer. When not in use with the Greens Roller, it can be used for many other tasks. An example would be for transporting greens mowers from green to green.

05/2013

**MACHINE REGISTRATION**

MANUFACTURED BY: SALSCO, INC.  
105 School House Rd., Cheshire, CT 06410  
800-872-5726, 203-271-1682, 203-271-2596 (Fax)  
[sales@salsco.com](mailto:sales@salsco.com) [www.salsco.com](http://www.salsco.com)

THIS MANUAL COVERS MODEL (s): MODEL HP5.5 - GAS GREENS ROLLER

This company reserves the right to discontinue, add improvements to, or change the design of any model or product at any time without obligation to improve existing machines, either by changing the design or adding new parts.

It has been and will continue to be the policy of SALSCO to update existing machines at its own discretion. Whenever possible, new designs will be made in such a way that they can be "Retro Fit" if so desired.

Record in the space provided below the model and serial number of this unit. Please retain these numbers for future reference.

No parts orders will be accepted **WITHOUT MODEL NUMBERS OR PART NUMBERS.** All part numbers are listed in this manual.

Serial Number \_\_\_\_\_ Model Number \_\_\_\_\_

NOTE: Be sure to complete your warranty card. This will insure immediate processing of any warranty claims.

**READ AND UNDERSTAND THIS MANUAL BEFORE STARTING MACHINE**

03/2011

## SAFETY INSTRUCTIONS

1. **NEVER** leave unit running while unattended.
2. **NEVER** park on a green for any reason.
3. **NEVER** go down steep hills sideways. **ALWAYS** approach hills straight on.
4. **NEVER** change your mind mid-way down a steep incline. Once you've started down a steep incline, change direction only with the greatest of care and gentlest touch.
5. Allow engine to cool for several minutes before filling with fuel, since fuel tank is over the engine.

**NOTE: HONDA ENGINES - ALWAYS TURN OFF THE FUEL SHUTOFF, WHEN THE ENGINE IS NOT RUNNING, i.e. WHEN IN TRANSPORT, STORAGE, ETC.**

## OPERATING INSTRUCTIONS

1. Check that the unit has been serviced and all fluids are checked and topped off.
2. Check all hydraulic hose fittings.
3. Push fuel shut off switch to on position.
4. Push choke to full on position
5. Push throttle to just above idle.
6. Turn on/off switch to on position.
7. You should start engine from seat position. Just reach down to engine controls. Keep feet off pedals. Hydrostatic drive should come to neutral when engine starts.
8. Hydrostatic transmission should come to neutral when engine is started. **REMEMBER: RIGHT PEDAL TO GO RIGHT, LEFT PEDAL TO GO LEFT.**
9. Slide choke to full off position.
10. Once unit is running at just above idle, push pedal down slowly. Unit will begin to move. Drive it out of trailer on to grass area.
11. Since the unit is hydrostatic, engine should run at full R.P.M. and speed should be controlled by pressure on the pedal.

### **HINTS:**

1. **KEEP BOTH FEET ON PEDALS AT ALL TIMES.** By keeping your heels planted and moving your toes to change direction, you have smooth control - left to right.
2. If you roll the same direction as green was mowed, it's easy to follow the lines. This helps a new operator do a fine job sooner.
3. To insure longer life to your unit, when changing direction do so smoothly.

03/2011

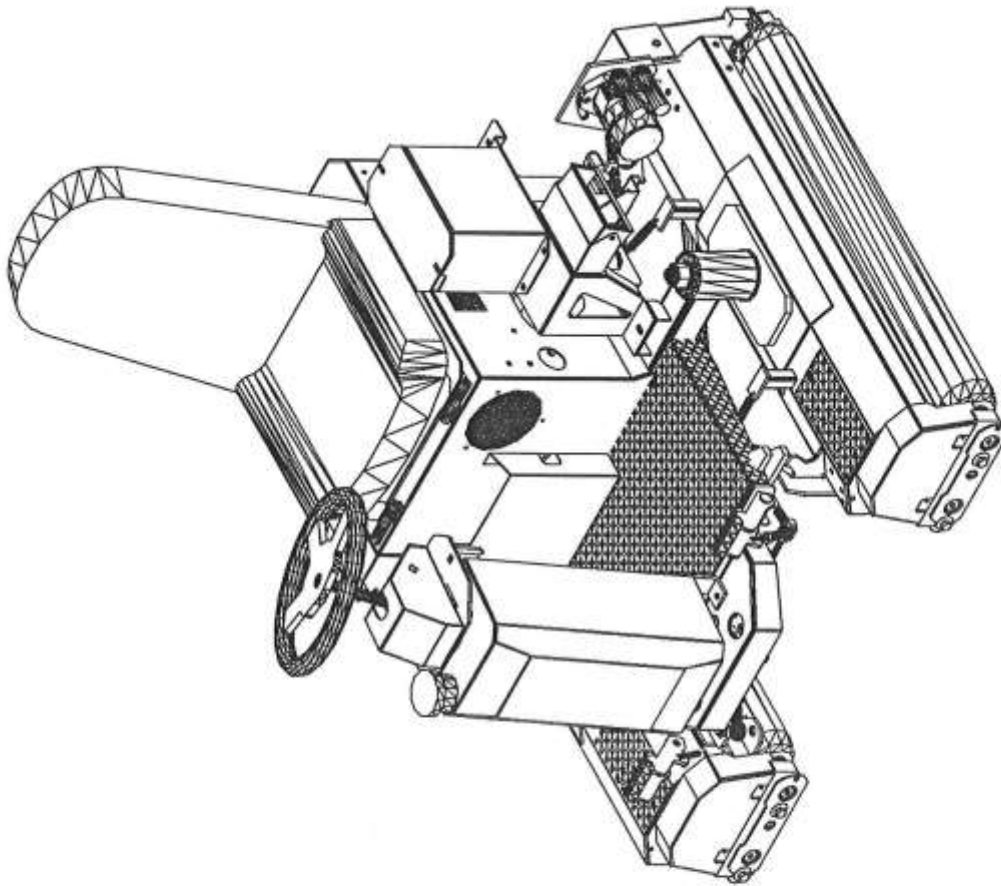
## **SERVICE & MAINTENANCE INSTRUCTIONS**

1. Check all hydraulic hoses **DAILY, or before each scheduled use**, for wear and any signs of rubbing or chaffing. **REMINDER:** Drive motor hoses should be treated as wear items and should be replaced on a yearly basis.
2. Check all fittings for any signs of leaking **DAILY, or before each scheduled use**.
3. Check all grease fittings on a **WEEKLY** basis, and grease as necessary. (Add ½ shot of grease in all four bearings.)
4. Check engine to manufacturers' specifications and maintenance. **USE CORRECT OIL.** (Per Honda Manual).
5. Check hydraulic oil (use correct oil per decal).
6. Check Fuel **NEVER** fill a **HOT** engine.
7. Slide fuel shut off towards the engine. Always shut off the fuel when unit is **NOT** in use.
8. Slide choke away from engine till engine starts then turn choke off allowing engine to warm up.
9. When transporting unit from green to green be sure to turn off fuel.
10. **Oil & Filter Type** – It has been determined that your Salsco machine will perform better by using a 25 micron filter. Salsco recommends using Mobil DTE 26 or Citgo HYD 68, non-detergent hydraulic oil, or their equivalents. The oil should have a viscosity rating of at least 100 SSU. While this is not a necessity, it will improve the overall performance of your machine. Salsco is now using this filter and hydraulic oil on all our machines using hydraulics.

**SAFETY IS A PRIME CONCERN AT SALSCO AND THE SAFETY DECALS ON YOUR MACHINE ARE A HIGHLY VISIBLE AND CONSTANT REMINDER TO ALL OPERATORS. REPLACEMENT SAFETY DECALS MAY BE OBTAINED BY CALLING SALSCO @ 1-800-872-5726, OR THE DEALER IN YOUR AREA.**

05/2013

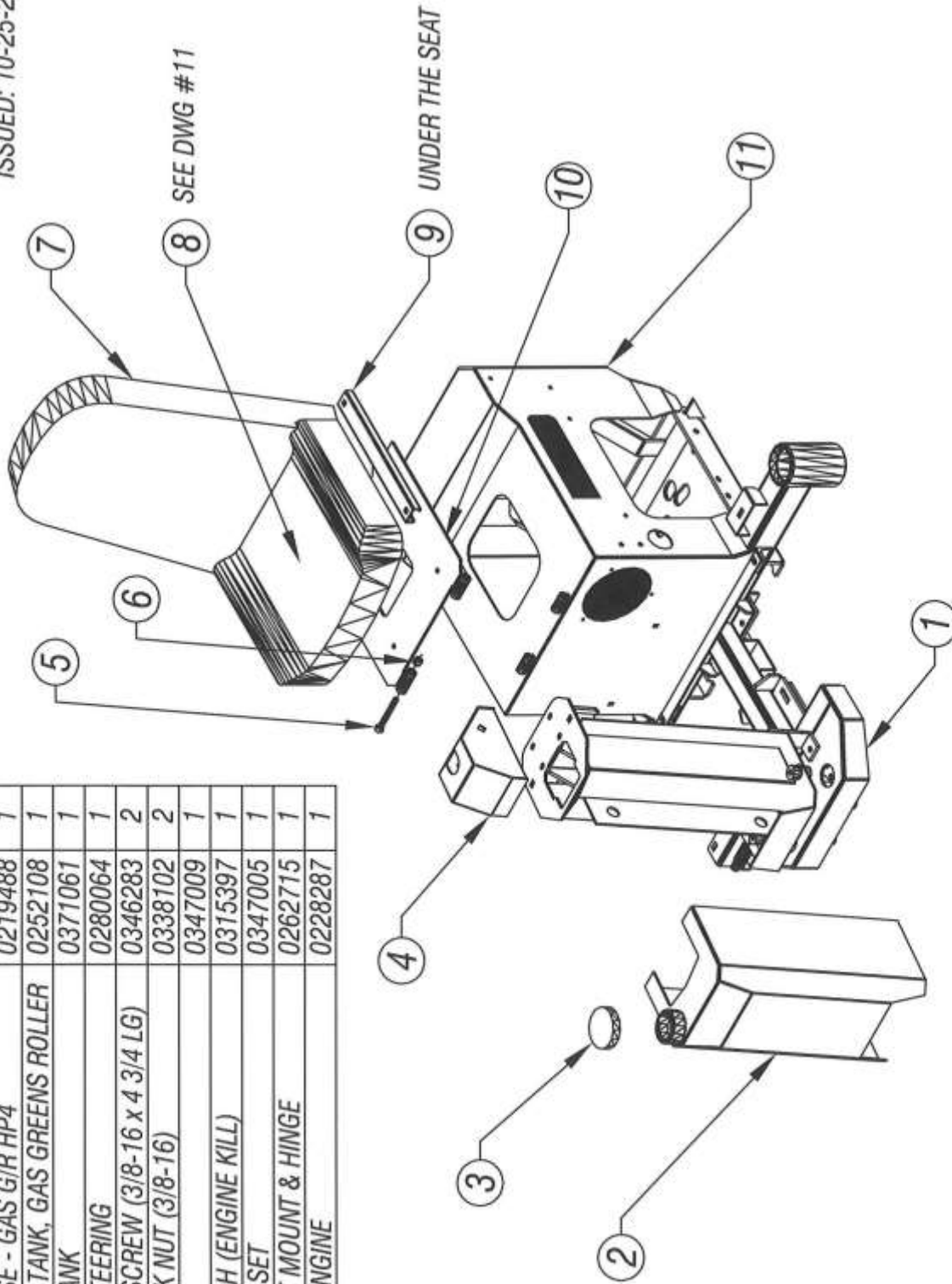
ISSUED: 05-06-2013



GAS GREENS ROLLER - MODEL HP5.5 - DWG #1



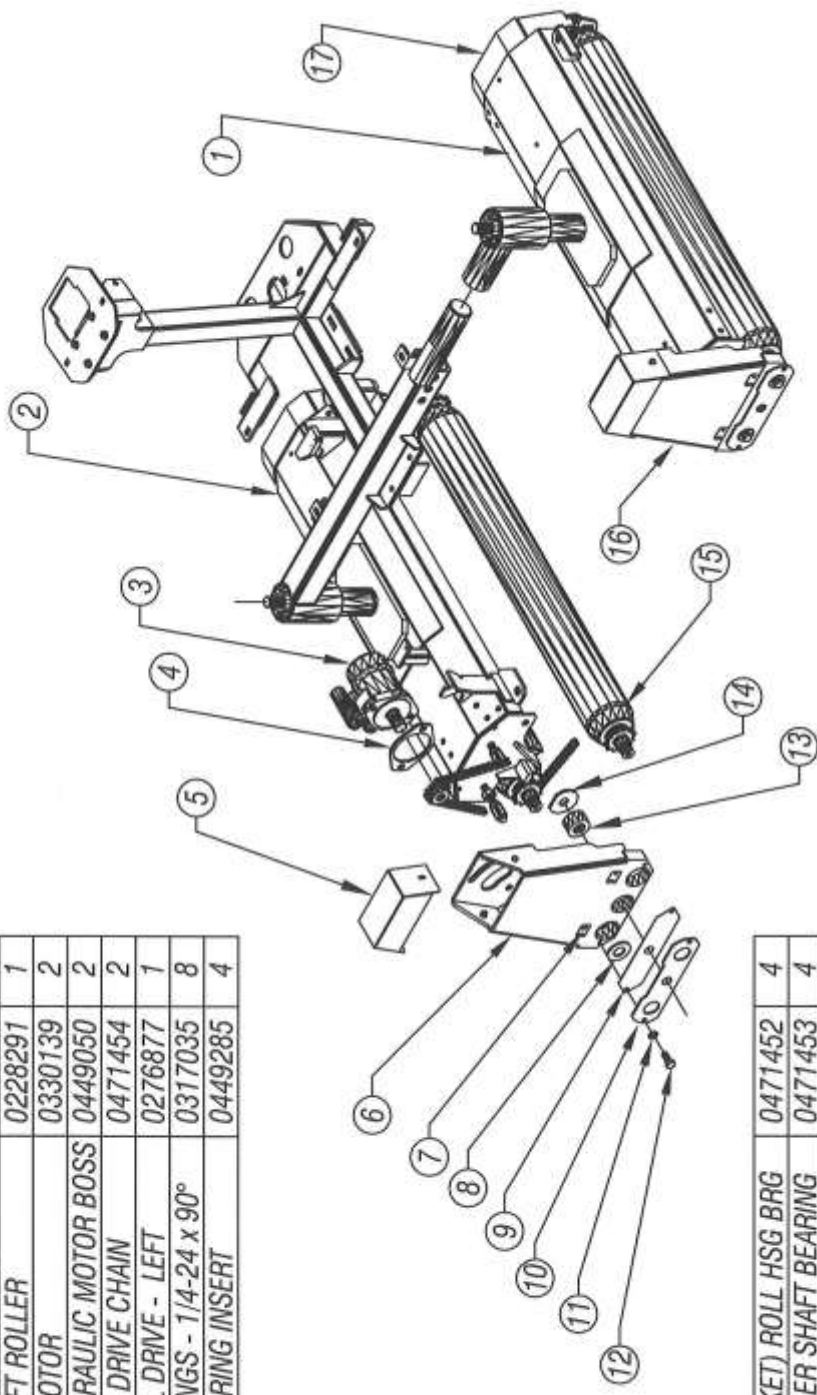
ITEM	DESCRIPTION	PART NO	QTY
1	FRAME, BASE - GAS G/R HP4	0219488	1
2	HYDRAULIC TANK, GAS GREENS ROLLER	0252108	1
3	CAP, HYD TANK	0371061	1
4	BOX, TILT STEERING	0280064	1
5	HEAD CAP SCREW (3/8-16 x 4 3/4 LG)	0346283	2
6	NYLON LOCK NUT (3/8-16)	0338102	2
7	SEAT	0347009	1
8	SEAT SWITCH (ENGINE KILL)	0315397	1
9	SEAT SLIDE-SET	0347005	1
10	PLATE, SEAT MOUNT & HINGE	0262715	1
11	HOUSING, ENGINE	0228287	1



GAS GREENS ROLLER - MODEL HP5.5 - DWG #2

ISSUED: 05-06-2013  
 ISSUED: 10-29-2013

ITEM	DESCRIPTION	PART NO	QTY
1	HOUSING, RIGHT ROLLER	0228290	1
2	HOUSING, LEFT ROLLER	0228291	1
3	HYD DRIVE MOTOR	0330139	2
4	SPACER, HYDRAULIC MOTOR BOSS	0449050	2
5	COVER, ROLL DRIVE CHAIN	0471454	2
6	MOUNT, ROLL DRIVE - LEFT	0276877	1
7	GREASE FITTINGS - 1/4-24 x 90°	0317035	8
8	SPACER, BEARING INSERT	0449285	4

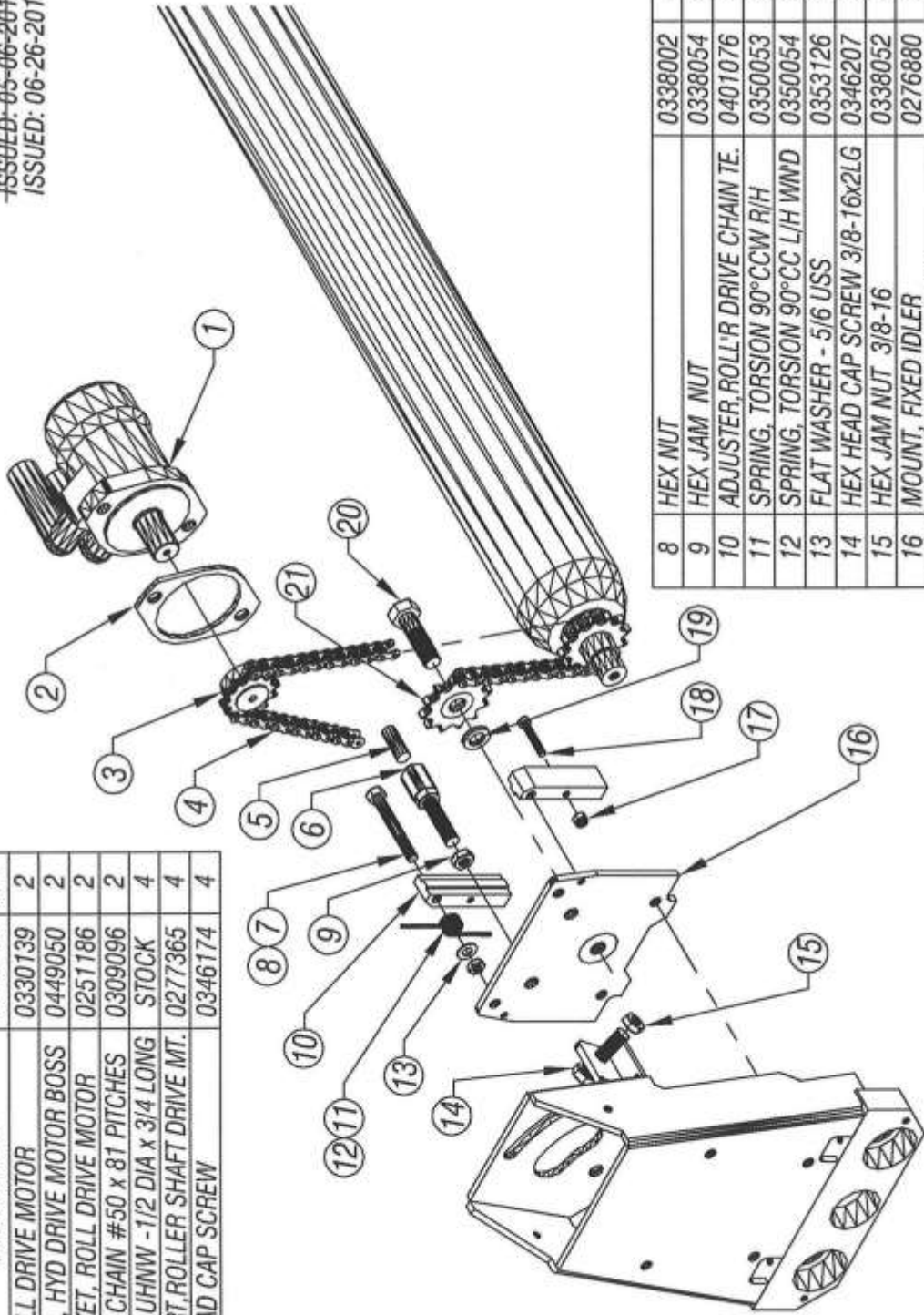


9	COVER (GASKET) ROLL HSG BRG	0471452	4
10	COVER, ROLLER SHAFT BEARING	0471453	4
11	LOCK WASHER	0353012	8
12	HEX HD CAP SCREW	0346172	8
13	SPACER, ROLLER SHAFT DRIVE	0449287	2
14	WASHER, ROLL SHAFT DRIVE PIVOT	0453215	4
15	ROLLER/SHAFT	0248381	4
16	MOUNT, ROLL DRIVE - RIGHT	0276878	1
17	MOUNT, ROLLER SHAFT IDLER	0276879	2

GAS GREENS ROLLER - MODEL HP5.5 - DWG #3

ISSUED: 05-06-2013  
 ISSUED: 06-26-2013

ITEM	DESCRIPTION	PART NO	QTY
1	HYD ROLL DRIVE MOTOR	0330139	2
2	SPACER, HYD DRIVE MOTOR BOSS	0449050	2
3	SPROCKET, ROLL DRIVE MOTOR	0251186	2
4	ROLLER CHAIN #50 x 81 PITCHES	0309096	2
5	INSERT, UHNW -1/2 DIA x 3/4 LONG	STOCK	4
6	SUPPORT,ROLLER SHAFT DRIVE MT.	0277365	4
7	HEX HEAD CAP SCREW	0346174	4

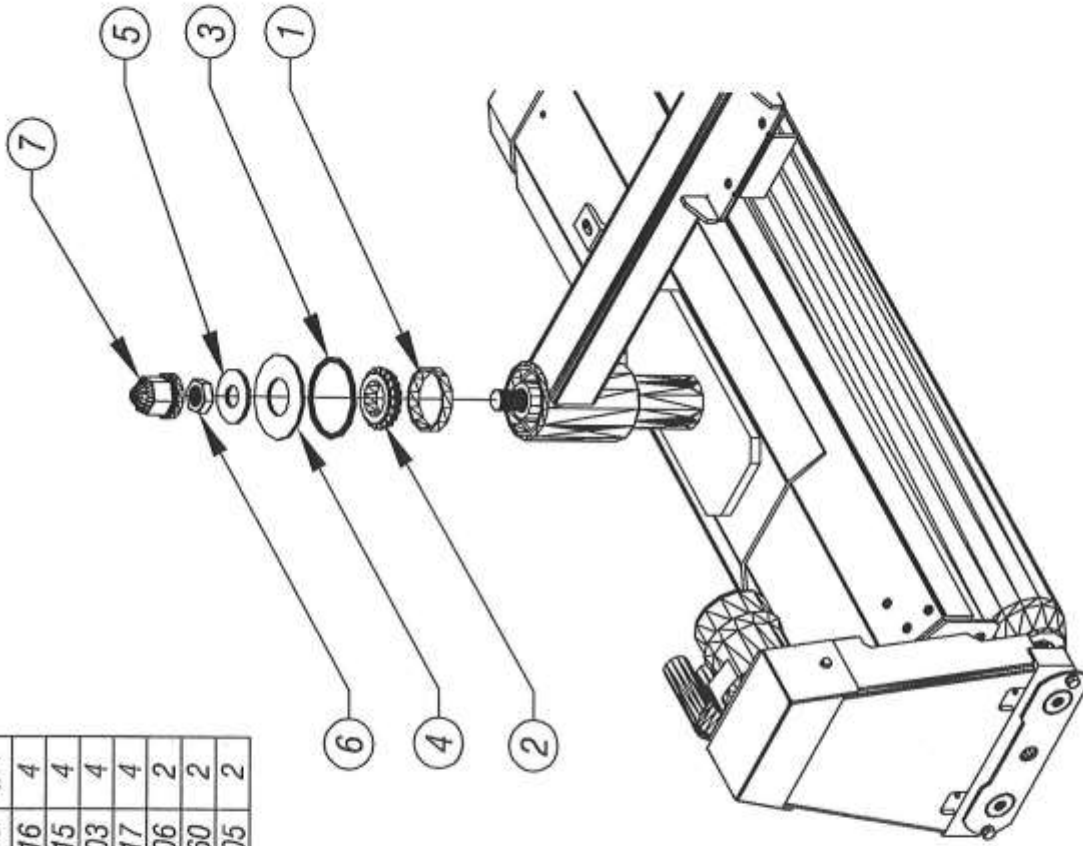


8	HEX NUT	0338002	4
9	HEX JAM NUT	0338054	4
10	ADJUSTER,ROLL'R DRIVE CHAIN TE.	0401076	4
11	SPRING, TORSION 90°CCW R/H	0350053	2
12	SPRING, TORSION 90°CC L/H WND	0350054	2
13	FLAT WASHER - 5/6 USS	0353126	4
14	HEX HEAD CAP SCREW 3/8-16x2LG	0346207	2
15	HEX JAM NUT 3/8-16	0338052	4
16	MOUNT, FIXED IDLER	0276880	2
17	NYLON LOCK NUT 1/4-20	0338100	4
18	HEX HEAD CAP SCREW 1/4-20x1.5	0346073	4
19	LOCK WASHER, SPLIT 5/8 ID	0353014	2
20	SPECIAL BOLT, FIXED IDLER MOUNT	0446652	2
21	SPROCKET, BALL BEARING #50	0351107	2

GAS GREENS ROLLER - MODEL HP5.5 - DWG 4

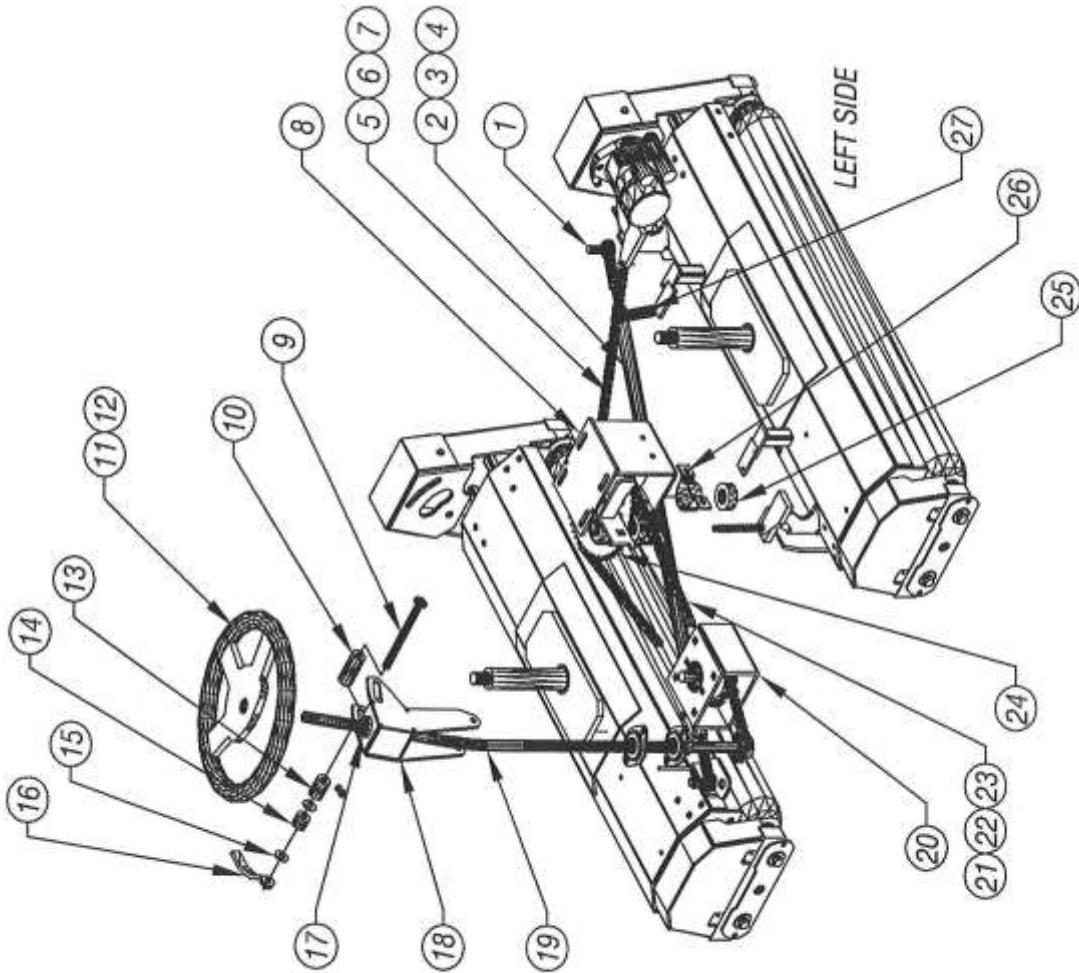
ISSUED: 05-06-2013

ITEM	DESCRIPTION	PART NO	QTY
1	BEARING CUP	0303016	4
2	CONE BEARING	0303015	4
3	O-RING, 3" ID	0343003	4
4	WASHER	0453117	4
5	FLAT WASHER	0353106	2
6	JAM NUT	0338060	2
7	CAP, LUG NUT	0338405	2



GAS GREENS ROLLER MODEL HP5.5 - DWG #5

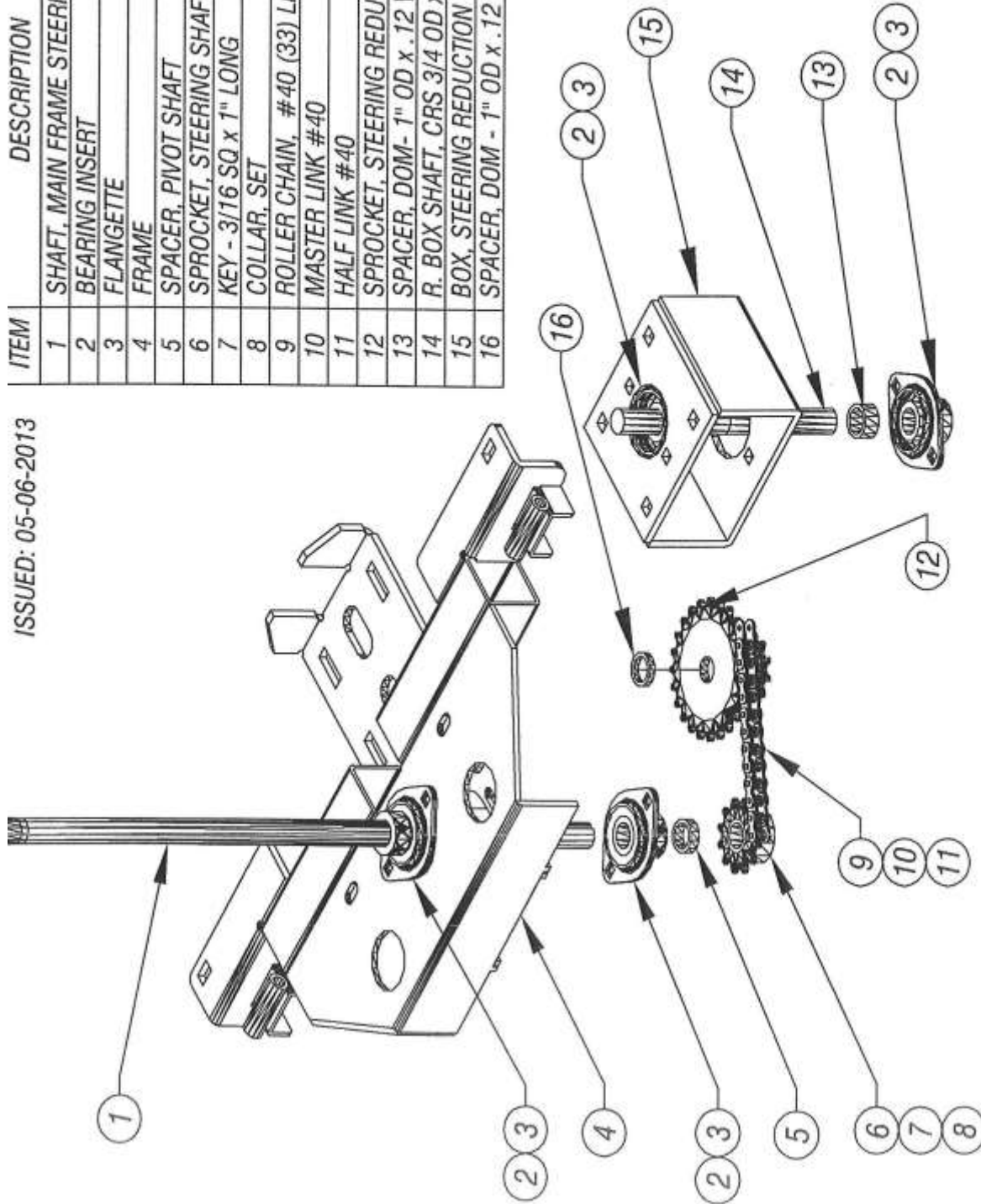
ITEM	DESCRIPTION	PART NO	QTY
1	ROD END (5/8-11)	0303087	2
2	TIE ROD	0245190	1
3	JAM NUT, (5/8-11)	0338110	2
4	LOCK NUT (5/8-11)	0353015	2
5	ROLLER CHAIN, #50 (59) LINKS	0309036	1
6	MASTER LINK #50	0309008	4
7	HALF LINK #50	0309022	1
8	BRACKET, STEERING SPROCKET	0288042	1
9	CARRIAGE BOLT	0346469	1
10	DOM TUBE - 1" OD x 1/4 WALL x 2.5 LONG		1
11	STEERING WHEEL	0336052	1
12	CAP, STEERING WHEEL	0336124	1
13	DOM TUBE - 1" OD x 1/4 WALL x 1.515 LONG		1
14	DOM TUBE - 1" OD x 1/4 WALL x .875 LONG		1
15	WASHER, FLAT - UHMW	0353333	2
16	EASY GRIP HANDLE - (1/2 - 13)	0323142	1
17	BUSHING, OILITE	0307038	2
18	ARM, TILT WHEEL STEERING PIVOT	0265122	1
19	SHAFT, MAIN FRAME STEERING	0448329	1
20	BOX, STEERING REDUCTION	0280065	1
21	ROLLER CHAIN, #40 (77) LINKS	0309045	1
22	MASTER LINK #40	0309006	1
23	HALF LINK #40	0309019	1
24	SPROCKET & SHAFT	0251060	1
25	FLANGETTE BEARING INSERT-3/4 ID	0303005	2
26	FLANGETTE PILLOW BLOCK	0303024	2
27	EXTENSION SPRING	0350009	2



GAS GREENS ROLLER - MODEL HP5.5 - DWG #6

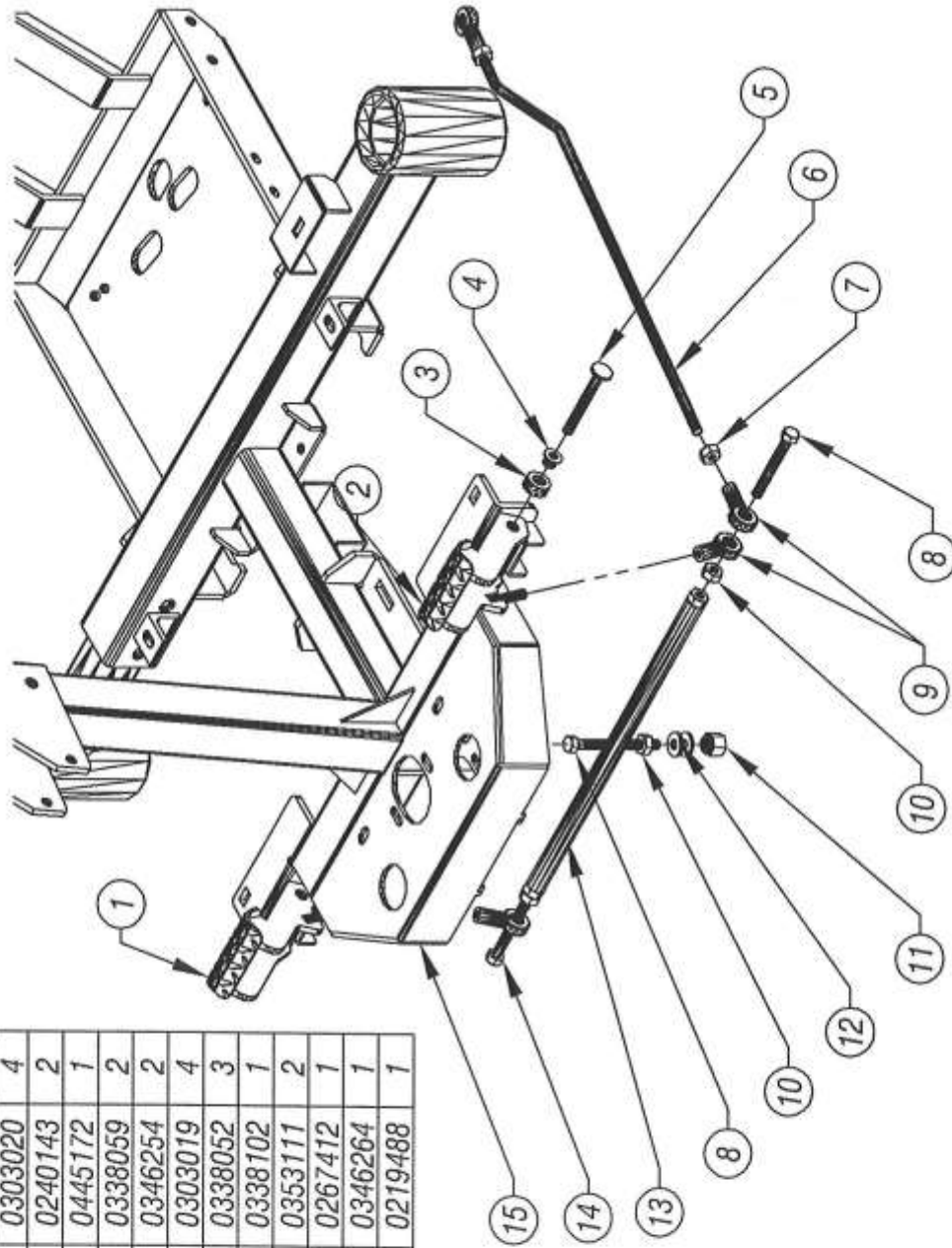
ISSUED: 05-06-2013

ITEM	DESCRIPTION	PART NO	QTY
1	SHAFT, MAIN FRAME STEERING	0448329	1
2	BEARING INSERT	0303023	4
3	FLANGETTE	0303005	4
4	FRAME	0219488	1
5	SPACER, PIVOT SHAFT	0449039	1
6	SPROCKET, STEERING SHAFT	0351003	1
7	KEY - 3/16 SQ x 1" LONG	0431004	1
8	COLLAR, SET	0311006	1
9	ROLLER CHAIN, #40 (33) LINKS	0309045	1
10	MASTER LINK #40	0309006	1
11	HALF LINK #40	0309019	1
12	SPROCKET, STEERING REDUCTION	0251215	1
13	SPACER, DOM- 1" OD x .12 WALL x 1/2	STOCK	1
14	R. BOX SHAFT, CRS 3/4 OD x 4 5/8 LONG	STOCK	1
15	BOX, STEERING REDUCTION	0280065	1
16	SPACER, DOM - 1" OD x .12 WALL x 3/16	STOCK	1

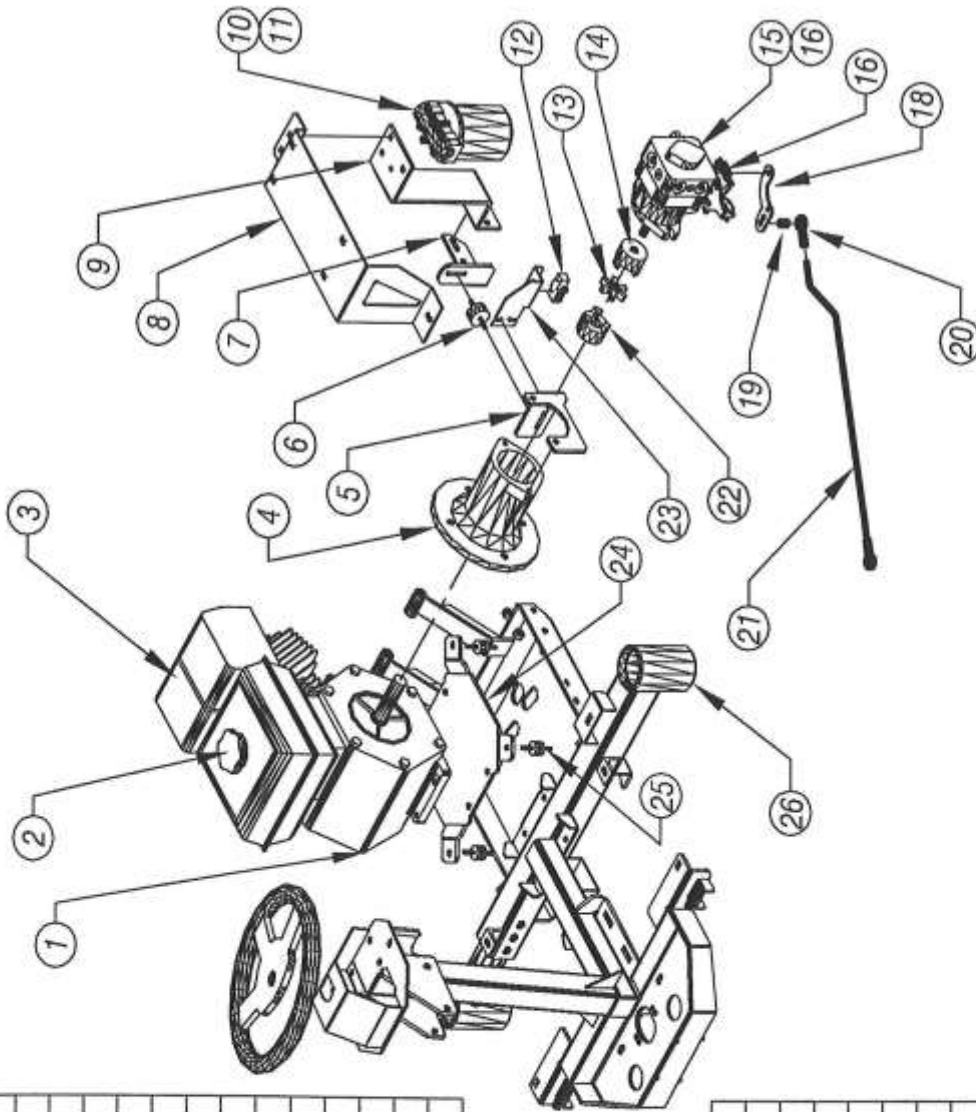


GAS GREENS ROLLER - MODEL HP5.5 - DWG #7

ITEM	DESCRIPTION	PART NO	QTY
1	PEDAL, FOOT- RIGHT	0268028	1
2	PEDAL, FOOT- LEFT	0268029	1
3	COLLAR, SET	0311031	2
4	BUSHING, FLGD- OILLITE	0303020	4
5	PIN, FOOT PEDAL PIVOT	0240143	2
6	ROD, FORWARD/REVERSE	0445172	1
7	JAM NUT, 3/8-24	0338059	2
8	SCREW, HEX HEAD	0346254	2
9	ROD END	0303019	4
10	JAM NUT, 3/8-16	0338052	3
11	LOCK NUT, NYLON INSERT	0338102	1
12	FLAT WASHER	0353111	2
13	TUBE, STEERING	0267412	1
14	SCREW, HEX HEAD	0346264	1
15	FRAME, BASE	0219488	1



GAS GREENS ROLLER - MODEL HP5.5- DWG #8



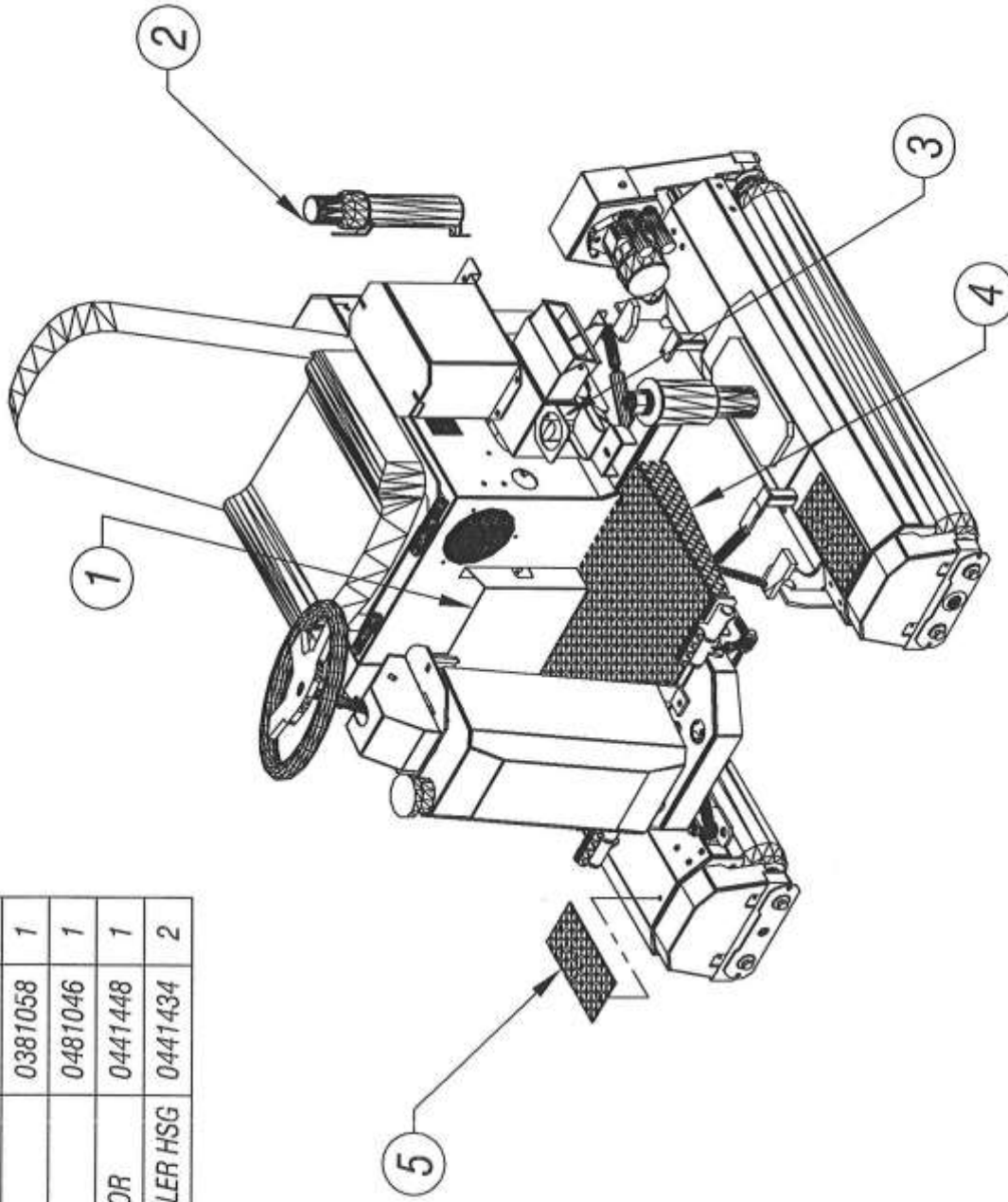
ITEM	DESCRIPTION	PART NO	QTY
1	ENGINE, 13HP HONDA	0337033	1
2	GAS CAP	0371411	1
3	FUEL SCREEN FILTER	0318048	1
4	BELL HOUSING	0328059	1
5	SUPPORT, HYD PUMP	0477231	1
6	RUBBER MOUNT, VIBRT DAMPG	0376250	1
7	BRACKET, VIBRATION DAMPING	0406877	1
8	MOUNT, BATTERY BOX	0276771	1
9	BRACKET, OIL FILTER	0488045	1
10	HYD FILTER & HOUSING	0318022	1
11	HYD FILTER ELEMENT ONLY	0318023	1
12	SWITCH, SNAP ACTION (NEUTRAL)	0315375	1
13	SPIDER COUPLING	0313004	1
14	HUB, 17mm BORE	0313081	1

15	HYDRAULIC PUMP	0330218	1
16	SEAL KIT - HYDRAULIC PUMP	0330222	1
17	LINKAGE - RETURN TO NEUTRAL	0330223	1
18	LEVER, HYD PUMP- EXTENDED	0433209	1
19	SPACER, STL-3/8 ID x 5/8 OD x 11/16(STOCK)		1
20	ROD END	0303019	2
21	ROD, FORWARD / REVERSE	0445172	1
22	HUB, 1" BORE	0313003	1
23	BRKT, SWITCH MOUNTG (NEUTR.)	0488046	1
24	PLATE, ENGINE MOUNT	0462462	1
25	RUBBER MOUNT	0376319	4
26	FRAME, BASE	0219488	1

GAS GREENS ROLLER - MODEL HP5.5 - DWG #9

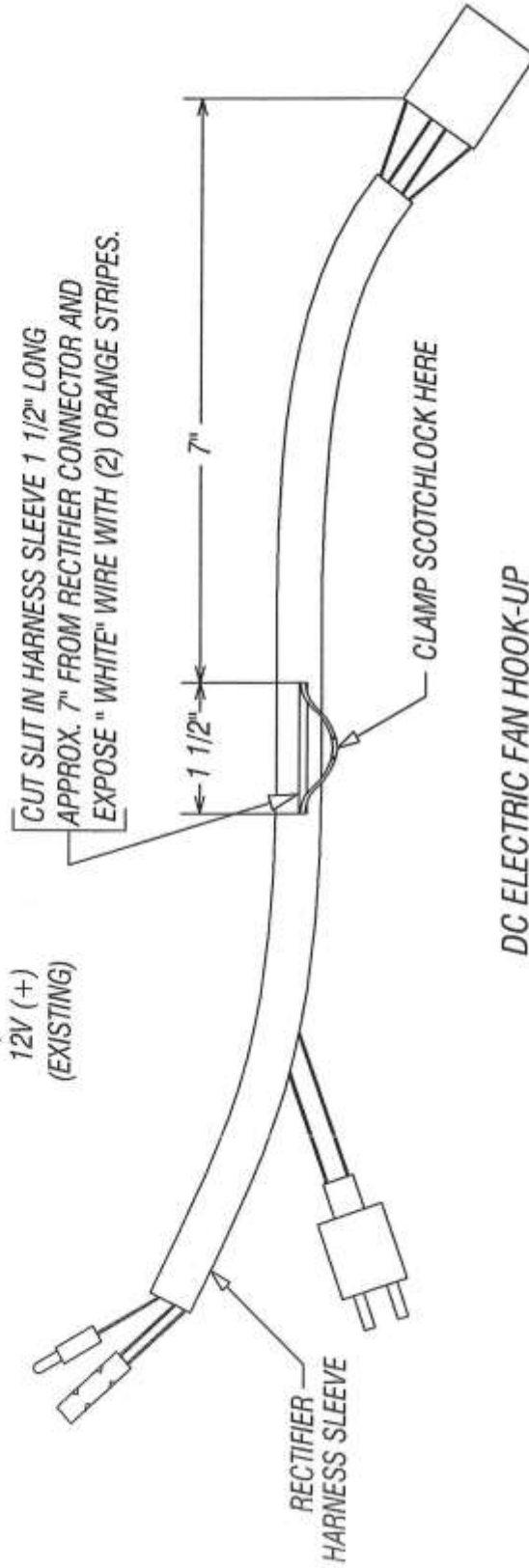
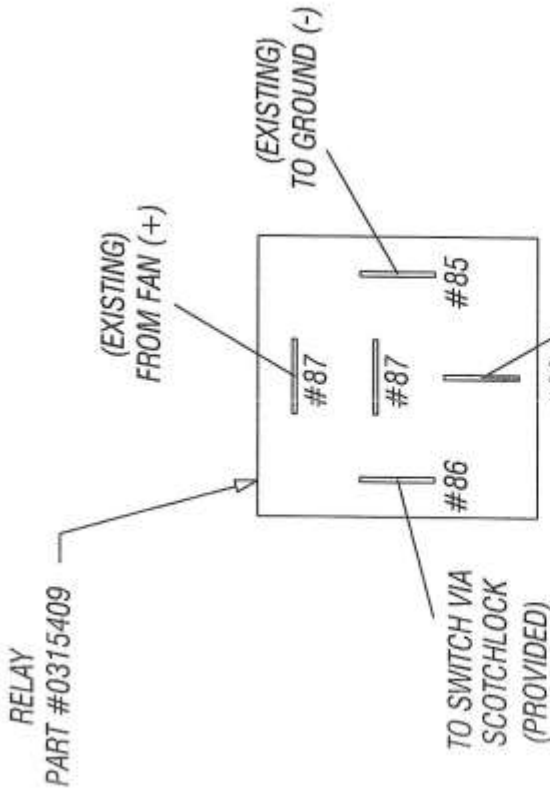


ITEM	DESCRIPTION	PART NO	QTY
1	HOLDER, CLIPBOARD	0481053	1
2	HOLDER, MANUAL	0381058	1
3	HOLDER, CAN	0481046	1
4	PLATE, DIAMOND- FLOOR	0441448	1
5	PLATE, DIAMOND- ROLLER HSG	0441434	2



GAS GREENS ROLLER - MODEL HP5.5 - DWG #10

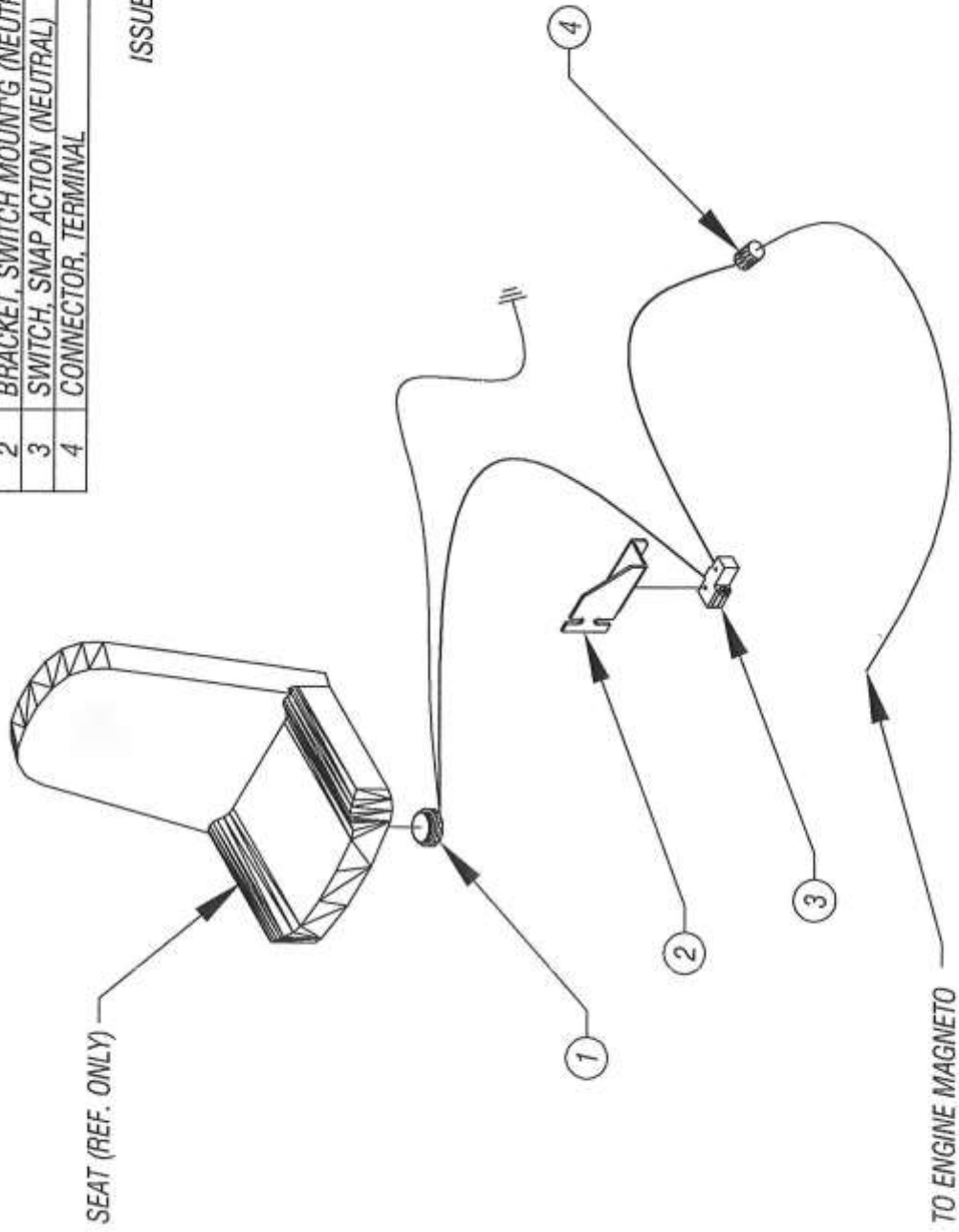
- MOUNT RELAY TO UNDERSIDE OF BATTERY COVER
- REMOVE POWER SUPPLY WIRE FROM OLD SWITCH AND INSTALL IT ON TERMINAL #30 OF RELAY
- REMOVE GROUND WIRE AND INSTALL IT ON #85 OF RELAY
- REMOVE FAN POWER SUPPLY WIRE AND INSTALL IT ON TERMINAL #87 OF RELAY
- INSTALL RED WIRE PROVIDED TO TERMINAL #86 ON RELAY AND INSERT THE OTHER END INTO THE SCOTCHLOCK



DC ELECTRIC FAN HOOK-UP  
 GAS GREENS ROLLER - MODEL HP5.5 - DWG #11

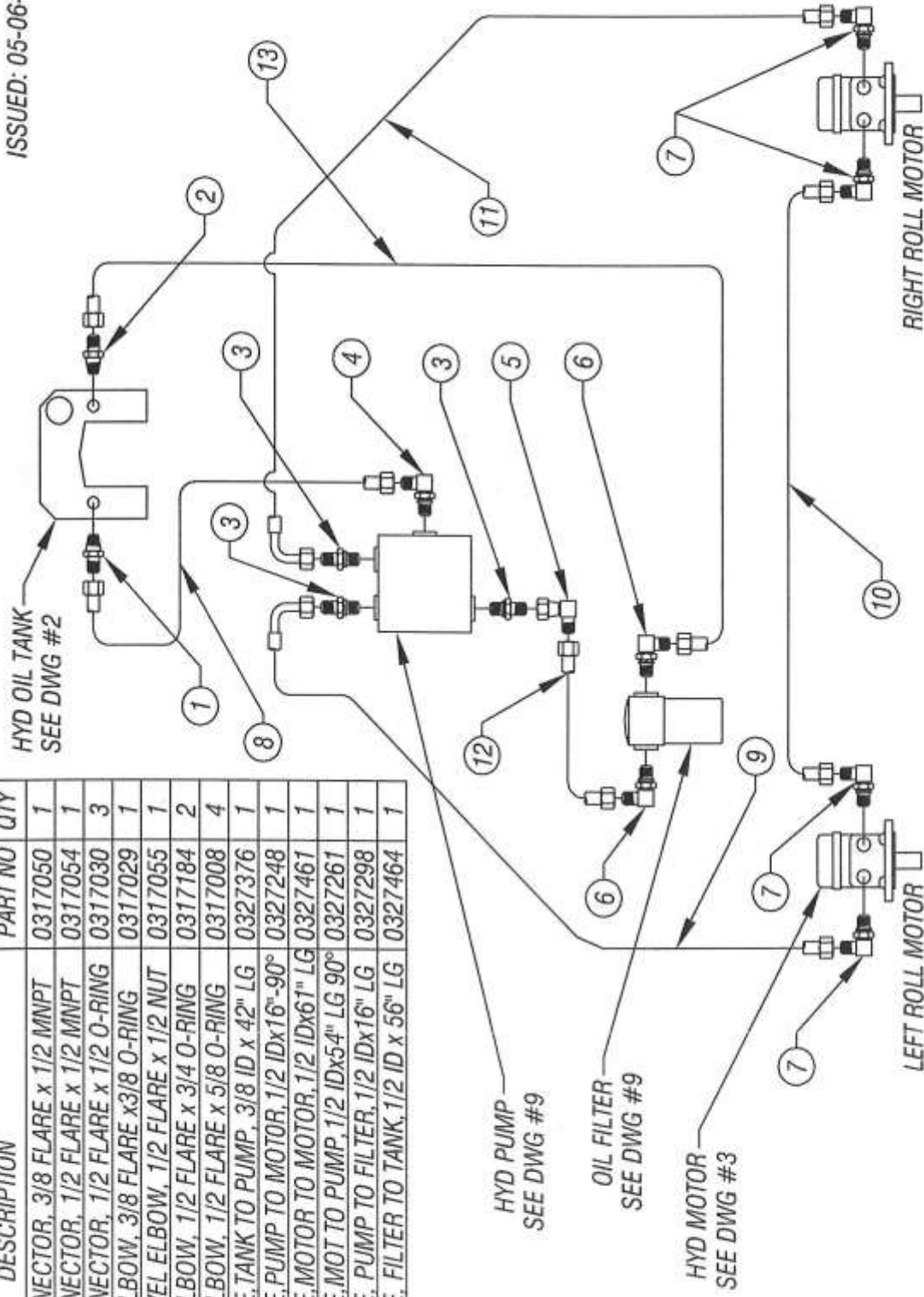
ITEM	DESCRIPTION	PART NO	QTY
1	SEAT SWITCH (ENGINE KILL)	0315349	1
2	BRACKET, SWITCH MOUNT'G (NEUTR.)	0406978	1
3	SWITCH, SNAP ACTION (NEUTRAL)	0315375	1
4	CONNECTOR, TERMINAL	0315354	1

ISSUED: 05-06-2013



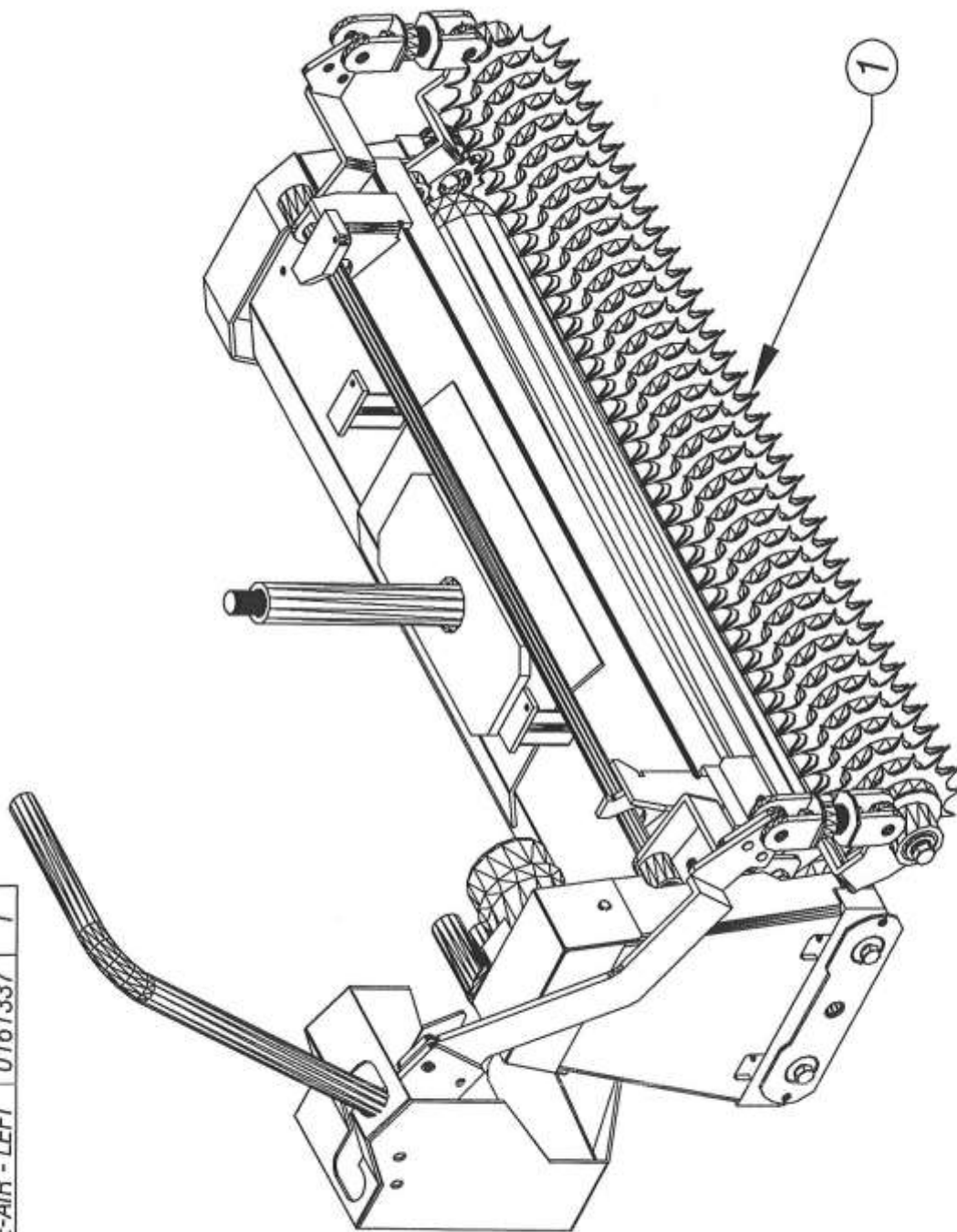
COMPLETE - NEUTRAL SAFETY SWITCH ASSEMBLY  
 GAS GREENS ROLLER - MODEL HP5.5 - DWG #12

ITEM	DESCRIPTION	PART NO	QTY
1	CONNECTOR, 3/8 FLARE x 1/2 MNPT	0317050	1
2	CONNECTOR, 1/2 FLARE x 1/2 MNPT	0317054	1
3	CONNECTOR, 1/2 FLARE x 1/2 O-RING	0317030	3
4	90° ELBOW, 3/8 FLARE x 3/8 O-RING	0317029	1
5	SWIVEL ELBOW, 1/2 FLARE x 1/2 NUT	0317055	1
6	90° ELBOW, 1/2 FLARE x 3/4 O-RING	0317184	2
7	90° ELBOW, 1/2 FLARE x 5/8 O-RING	0317008	4
8	HOSE, TANK TO PUMP, 3/8 ID x 42" LG	0327376	1
9	HOSE, PUMP TO MOTOR, 1/2 ID x 16"-90°	0327248	1
10	HOSE, MOTOR TO MOTOR, 1/2 ID x 61" LG	0327461	1
11	HOSE, MOT TO PUMP, 1/2 ID x 54" LG 90°	0327261	1
12	HOSE, PUMP TO FILTER, 1/2 ID x 16" LG	0327298	1
13	HOSE, FILTER TO TANK, 1/2 ID x 56" LG	0327464	1



HYDRAULIC COMPONENTS, FITTINGS & HOSES  
 GAS GREENS ROLLER - MODEL HP5.5 - DWG #13

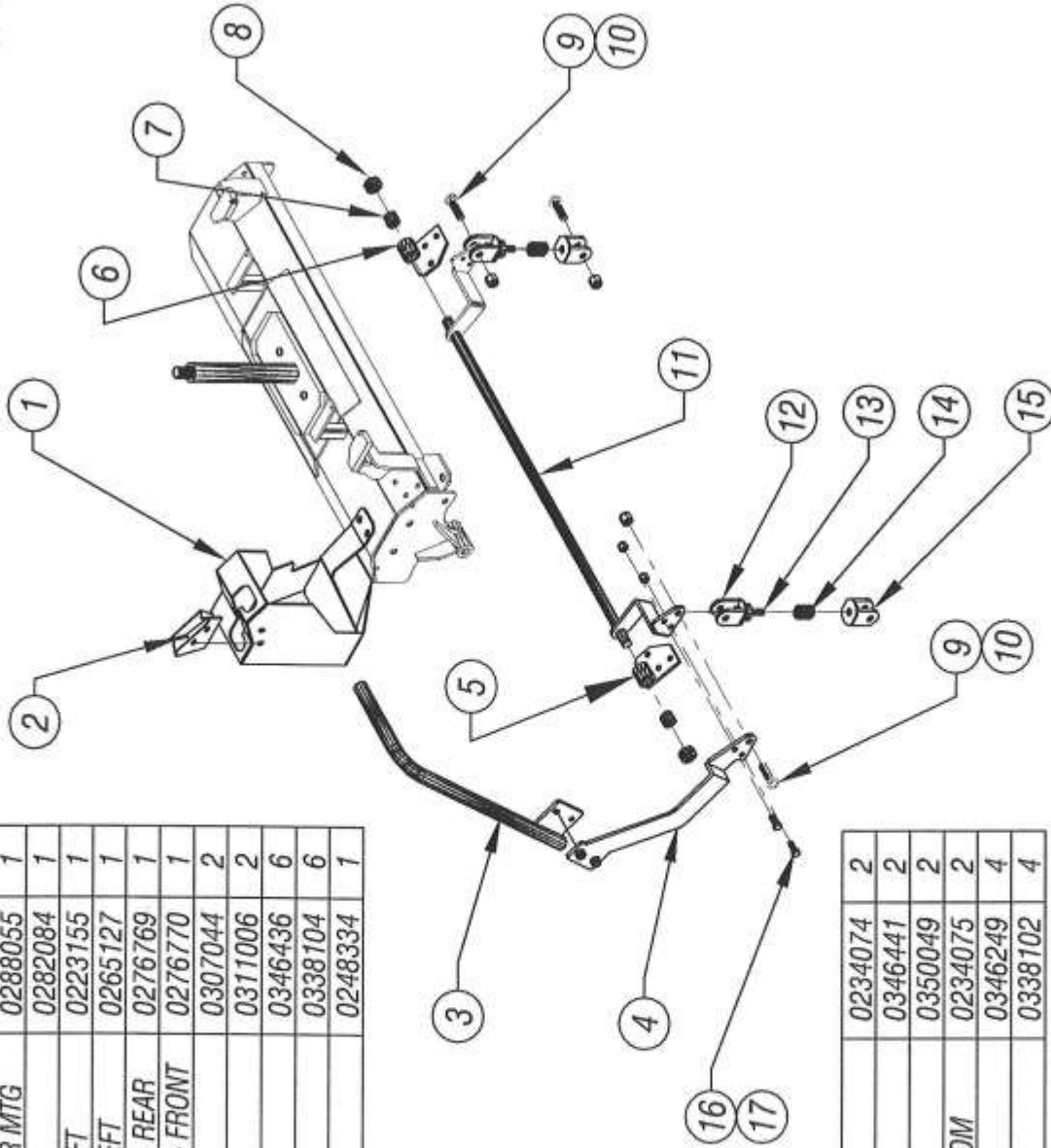
ITEM	DESCRIPTION	PART NO	QTY
1	KIT, INNER SPIKE-AIR - LEFT	0161337	1



OPTION KIT, INNER-SPIKE-AIR-LEFT  
GAS GREENS ROLLER - MODEL HP5.5 - DWG #14

ISSUED: 05-06-2013

ITEM	DESCRIPTION	PART NO	QTY
1	BRACKET, SPIKE-AIR LIFT LEVER MTG	0288055	1
2	STOP, SPIKE-AIR LEVER - LEFT	0282084	1
3	HANDLE, SPIKE-AIR LEVER - LEFT	0223155	1
4	ARM, INNER SPIKE-AIR LIFT - LEFT	0265127	1
5	MOUNT, INNER SPIKE-AIR LIFT - REAR	0276769	1
6	MOUNT, INNER SPIKE-AIR LIFT - FRONT	0276770	1
7	BUSHING, OILITE	0307044	2
8	COLLAR, SET	0311006	2
9	HEX HD CAP SCREW	0346436	6
10	LOCK NUT	0338104	6
11	SHAFT SPIKE-AIR PIVOT	0248334	1

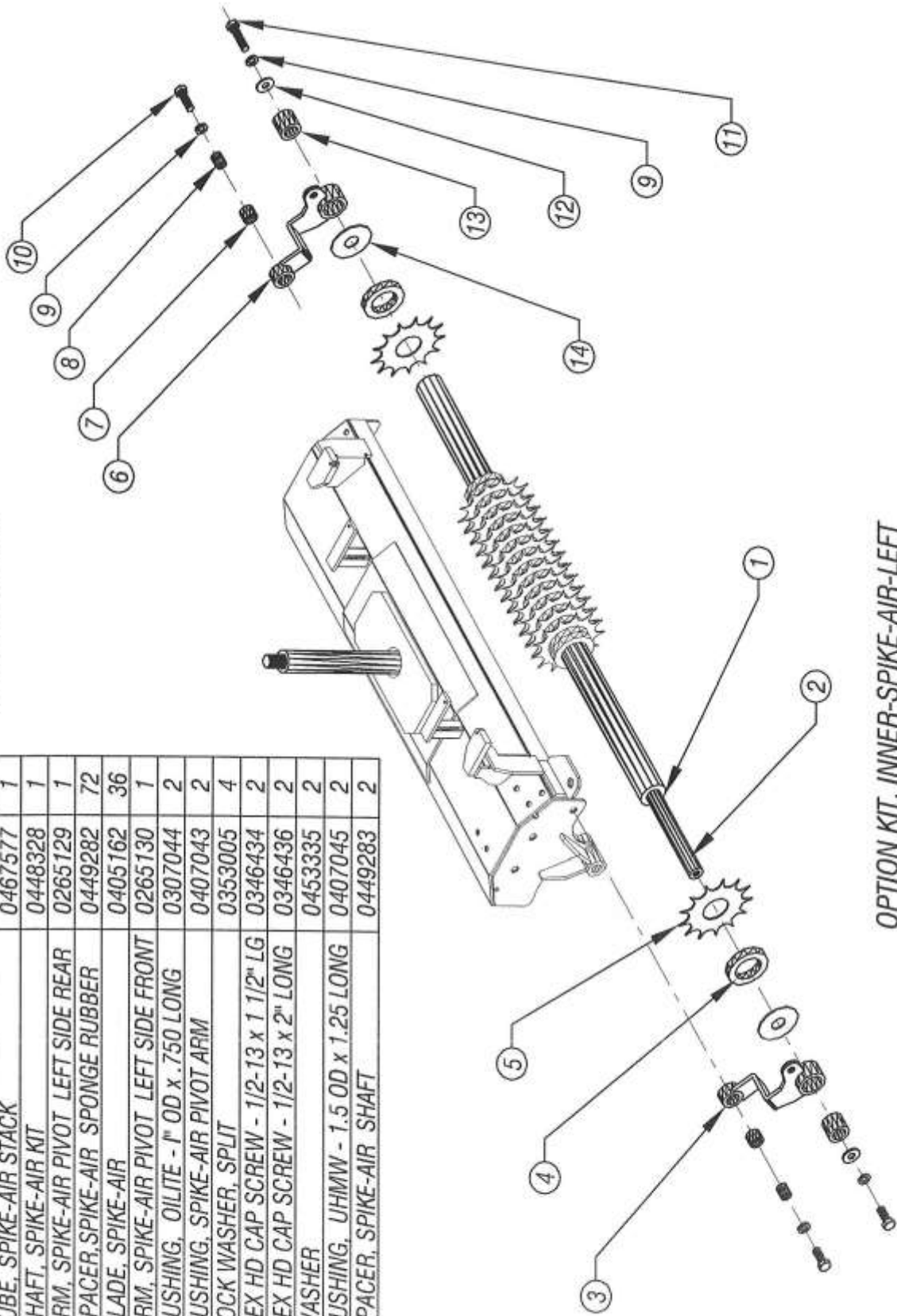


12	LINK, SPIKE-AIR SPRING - TOP	0234074	2
13	HEX HD TAP BOLT	0346441	2
14	COMPRESSION SPRING	0350049	2
15	LINK, SPIKE-AIR SPRING - BOTTOM	0234075	2
16	HEX HD CAP SCREW	0346249	4
17	LOCK NUT	0338102	4

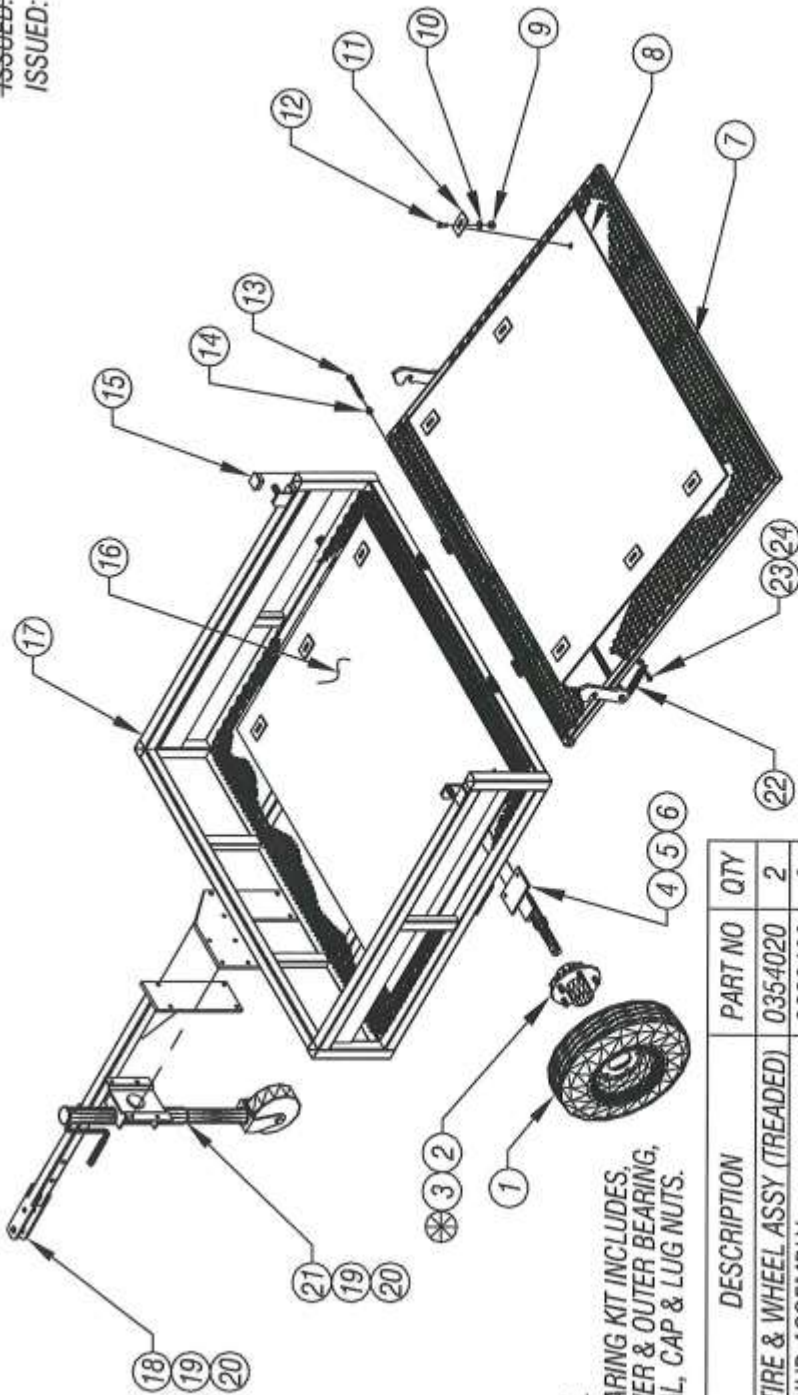
OPTION KIT, INNER-SPIKE-AIR-LEFT  
 GAS GREENS ROLLER - MODEL HP5.5 - DWG #15

ISSUED: 05-06-2013

ITEM	DESCRIPTION	PART NO	QTY
1	TUBE, SPIKE-AIR STACK	0467577	1
2	SHAFT, SPIKE-AIR KIT	0448328	1
3	ARM, SPIKE-AIR PIVOT LEFT SIDE REAR	0265129	1
4	SPACER, SPIKE-AIR SPONGE RUBBER	0449282	72
5	BLADE, SPIKE-AIR	0405162	36
6	ARM, SPIKE-AIR PIVOT LEFT SIDE FRONT	0265130	1
7	BUSHING, OILITE - 1" OD x .750 LONG	0307044	2
8	BUSHING, SPIKE-AIR PIVOT ARM	0407043	2
9	LOCK WASHER, SPLIT	0353005	4
10	HEX HD CAP SCREW - 1/2-13 x 1 1/2" LG	0346434	2
11	HEX HD CAP SCREW - 1/2-13 x 2" LONG	0346436	2
12	WASHER	0453335	2
13	BUSHING, UHMW - 1.5 OD x 1.25 LONG	0407045	2
14	SPACER, SPIKE-AIR SHAFT	0449283	2



OPTION KIT, INNER-SPIKE-AIR-LEFT  
 GAS GREENS ROLLER - MODEL HP5.5 - DWG #16



**NOTE :**

⊗ BEARING KIT INCLUDES, INNER & OUTER BEARING, SEAL, CAP & LUG NUTS.

ITEM	DESCRIPTION	PART NO	QTY
1	TIRE & WHEEL ASSY (TREADED)	0354020	2
2	HUB ASSEMBLY	0329100	2
3	BEARING KIT	0303068	2
4	AXLE	0202110	1
5	HEX HEAD SCREW	0346204	12
6	LOCK NUT	0338102	12
7	TAIL GATE	0219492	1
8	RUBBER MAT, (TAILGATE) 43x48	0356043	1
9	LOCK NUT, (NYLON INSERT)	0338101	12
10	FLAT WASHER	0353101	12
11	PLATE, HOLD DOWN RUBB. MAT	0462585	24
12	CARRIAGE BOLT	0346130	12
13	HEX SCREW	0346217	2

14	HEX NUT	0338012	2
15	CAP (PLASTIC)	0371001	4
16	RUBBER MAT, (TRAILER) 43x45	0356039	1
17	TRAILER FRAME	0219491	1
18	TONGUE	0225011	1
19	HEX HEAD SCREW	0346204	8
20	LOCK NUT, (NYLON INSERT)	0338102	8
21	JACK, SWIVEL- WITH CASTER	0369047	1
22	SPRING, EXTENSION	0350009	2
23	BOLT, HEX HD -1/4 -20x1 1/4 LG	0346072	2
24	JAM NUT - 1/4 - 20	0338039	2

0009075 TRAILER ASSY  
 FOR  
 STANDARD ROLLER

GAS GREENS ROLLER #HP5.5  
 DWG #17

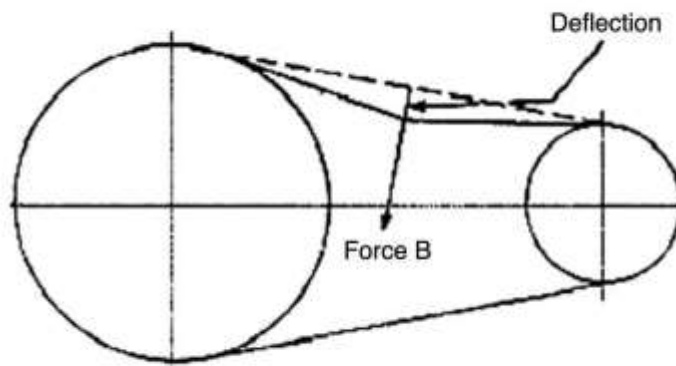


Below is a quick reference chart for various "Flat Head Cap Screws" and the torque recommendations.

**VALUES ARE STATED IN FOOT POUNDS**

BOLT SIZE	Thds Per Inch	SAE Grade 5	SAE Grade 8
1/4	20	10	14
	28	---	---
5/16	18	19	29
	24	---	---
3/8	16	33	47
	24	---	---
7/16	14	54	78
	20	---	---
1/2	13	78	119
	20	---	---
9/16	12	114	169
	18	---	---
5/8	11	154	230
	11	---	---
3/4	10	257	380
	10	---	---
7/8	9	382	600
	9	---	---
1	8	587	700
	8	---	---

Drive Belt Tension Measurement by Deflection



Deflection should be 3/8" when 8-12 lbs. push is applied at "B"

## WARRANTY POLICY

***Please remember to complete and return your Warranty Card and Dealer Delivery Report. Warranty Claims will not be considered if the Warranty Card and Dealer Delivery Report have not been returned to Salsco.***

Your Salsco Commercial or Turf Equipment product is a commercial type product and is normally manufactured and sold for commercial or industrial use. **Salsco will, for the original purchaser, for (5) years from the date of purchase (90 days if used for rental purposes) repair or replace, free of charge, any part or parts found to be defective in material, workmanship or both.** Any transportation or shipping charges will be borne by the purchaser. If, during the warranty period stated above, the product does not function properly due to defect, simply contact Salsco and follow the Warranty Procedures included in this manual.

This warranty **does not** include:

- Incidental or consequential damages and is exclusive of any implied warranties.
- Normal maintenance parts, including, but not limited to hoses, chains, belts, filters, lubricants, etc.
- Parts or components, which are covered under the original manufacturer warranty, including, but not limited to engines, pumps, and motors.

## WARRANTY PROCEDURE

In order for Salsco to consider your warranty claims in a timely manner you must follow the simple procedures listed below:

### MACHINE OR PART FAILURE

- Call our service department for helpful instruction on how to correct or repair the problem. Preventive maintenance will also be suggested.
- When ordering parts for Warranty issues, you **MUST** retain possession of the old parts in question until notified with respect to returning the parts to Salsco or other disposition.
- Warranty Claims **MUST** be filed within 30-days from completion of the work performed. Contact our office for an electronic warranty claim form.
- Fill in all information requested on warranty claim form, a copy of which is included in this manual, (date of purchase, company name, address, etc.). List all parts used. Make sure part numbers are correct. You can obtain these from your manual. (include good description of problem; i.e. "leaking from spool" rather than "leaking").
- It is our goal to consider and reach a disposition on each Warranty Claim within 30-days from the date that it is received. Therefore it is important that you respond promptly to any request for further information. Claims with no response to inquiries will be closed as "**denied for lack of response**" 90-days from the date of request.
- Email, Fax or Send Warranty Claim form to our Warranty Department. – **Warranty on parts most often requires return of the parts that were replaced.** **DO NOT DISCARD OLD PARTS UNTIL YOU HAVE RECEIVED A DETERMINATION AS TO WHETHER THESE PARTS MUST BE RETURNED.**
- Our Warranty Department will contact and instruct you on how to return the Parts to Salsco on an RA #. Returns **MUST** be made within 30-Days from issuance of RA #. **FREIGHT CHARGES ON RETURN OF PARTS IS THE RESPONSIBILITY OF THE CUSTOMER.** Normal pre-delivery adjustments are not covered under warranty. Labor Warranties are based on reasonable time allowances as determined by Salsco, Inc. and paid at 75% of posted labor rate. **TRAVEL TIME IS NOT REIMBURSED UNDER THE WARRANTY POLICY.**
- Be sure to put the RA form inside the box that you are shipping back, also be sure to put on the outside of the box "Return of Goods" and the RA #.
- Ship returns via a traceable method such as UPS Ground Service. Be sure that the shipment is insured for the appropriate value. If uninsured parts are lost, we cannot issue a credit.

**PLEASE NOTE:** *Warranty forms should be filled out completely.*

**PREVENTIVE MAINTENANCE IS YOUR BEST INSURANCE AGAINST EQUIPMENT FAILURE. BE SURE TO READ THIS MANUAL, ESPECIALLY THE MAINTENANCE, OPERATING AND CAUTION SECTIONS.**

**SALSCO, INC., 105 School House Rd.  
Cheshire, CT 06410  
800-872-5726, 203-271-1682  
203-271-2596 (Fax) sales@salsco.com, [www.salsco.com](http://www.salsco.com)**

**WARRANTY CLAIM FORM**

SALSCO, INC.  
105 School House Rd.  
Cheshire, CT 06410

Phone:(203) 271-1682,(800) 872-5726  
Fax: (203) 271-2596  
Email: s.clark@salsco.com  
Website: www.salsco.com

**END OWNER**

Date Submitted:

Name:	Phone:	Work Order #:
Email:	Fax:	Office Use Only
Address:		Date Rec'd
		Cust ID:
		Salsco WC
		Salsco RA

**PURCHASED FROM**

Name:	Phone:	Date Approved:
Email:	Fax:	Date Rejected:
Address:		Processed By:
		Dir. Del Report on File: YES NO
		Warranty Card on File: YES NO
		Part(s) Total:
		Labor Total:

**Equipment/Warranty Information (Must be complete)**

Purchase Date:	Invoice #	Date Failed:	Total Approved:
Model #:	Serial #:	Repair Date:	Approved/Rejected:
Hrs Used:	Primary Use:		Name:
Warranty Claim/Work Order#:			Reason for Rejection:

Was a Salsco Return Authorization # issued for repairs or Return of Parts? YES NO	Suggested Preventative Maint:
Probable Cause of Failure:	

Work Performed/Comments on Repair:

Shop Labor Rate:						Submitted By:		
Total Labor Hours to Repair:						Printed Name:		
Parts Required for repair								
Salsco Part #: Description:					Qty.	Price Each	Total	Inv #
							\$	
							\$	
							\$	
							\$	

Fill in all information requested on warranty claim form.  
**INCOMPLETE FORMS CANNOT BE PROCESSED & WILL BE RETURNED**  
List all parts used. Make sure part numbers are correct. Any parts that you believe to be defective or any parts that break should be retained for possible inspection until after the warranty has been paid or part has been replaced.

# Salsco, Inc.

105 School House Rd.  
Cheshire, CT 06410  
203-271-1682

sales@salsco.com  
www.salsco.com

800-872-5726  
203-271-2596 (Fax)

## DEALER DELIVERY REPORT

MODEL		SERIAL NO				
DEALER		CITY	STATE	ZIP		
PURCHASER (Last Name or Company)	(First Name)	(Middle Name)	ADDRESS	CITY	STATE	ZIP

The undersigned dealer warrants that the above-described machine was carefully inspected, adjusted and prepared for delivery before delivery to the purchaser; that both the operation and maintenance of the machine were explained to the purchaser; and that a copy of the Owner's Instruction Manual were given to the purchaser and his attention called to Our Warranty and any operating instructions included in the manual and caution notes.

The undersigned purchaser certifies that the operation and maintenance of the above-described machine have been explained to him; acknowledges receipt of a copy of the Owners's Instruction Manual and Our Warranty Policy printed in said Instruction Manual and Caution Notes. I also understand that it is my responsibility to explain and make Salsco manuals available to new operators.

Date \_\_\_\_\_ Dealer \_\_\_\_\_  
Sign By \_\_\_\_\_  
Phone \_\_\_\_\_

Date \_\_\_\_\_ Purchaser \_\_\_\_\_  
Sign By \_\_\_\_\_  
Phone \_\_\_\_\_  
Email \_\_\_\_\_

FACTORY COPY WHITE - DEALER'S COPY YELLOW - OWNER'S COPY PINK

SERIAL # \_\_\_\_\_

MODEL NO. \_\_\_\_\_

### SALSCO LIMITED WARRANTY CARD

1. DATE PURCHASED: \_\_\_\_\_
2. PURCHASER: \_\_\_\_\_
3. PURCHASER ADDRESS: \_\_\_\_\_  
\_\_\_\_\_
4. EMAIL ADDRESS: \_\_\_\_\_
5. DEALER: \_\_\_\_\_
6. DEALER ADDRESS: \_\_\_\_\_
7. WILL THIS EQUIPMENT BE USED COMMERCIALY?  YES  NO
8. DID DEALER SERVICE THIS EQUIPMENT AND INSTRUCT YOU IN ITS CARE AND SAFE OPERATION ?  YES  NO
9. DID YOU RECEIVE AN "OPERATION & SERVICE MANUAL" AND SAFETY PAMPHLET?  YES  NO

## NOTICE

SIGNED \_\_\_\_\_  
Purchaser

IMPORTANT: THIS CARD MUST BE FILLED OUT COMPLETELY AND MAILED TO THE FACTORY WITHIN 10 DAYS OF PURCHASE DATE, OR YOUR LIMITED WARRANTY WILL BE VOIDED.

WHITE - DEALER

YELLOW - OWNER

CARD - FACTORY

